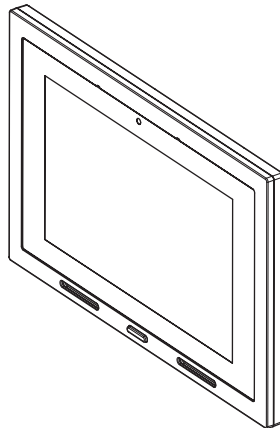


**МОНИТОР IP 7" TOUCHSCREEN**



**Sch./Ref. 1717/31**  
белый

**Sch./Ref. 1717/33**  
черный



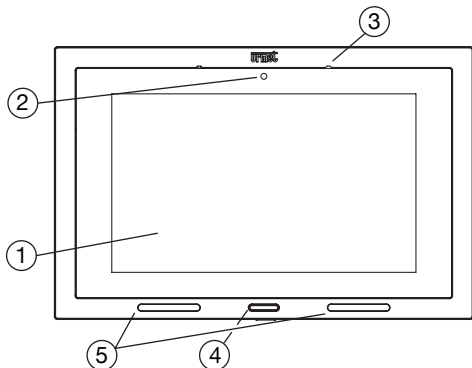
**max**

*руководство по установке*

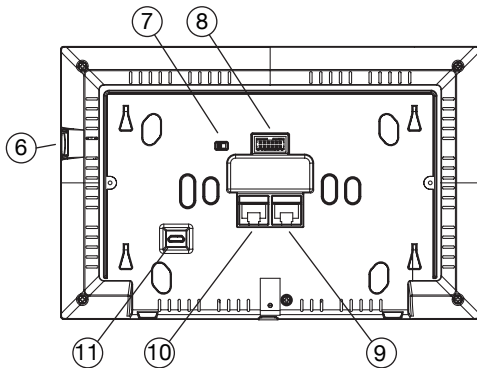
# ENGLISH

The monitor Sch.1717 /31 or /33 is an IP video door phone dedicated to the IPerVoice system. For trouble-free operation, the device requires a LAN/POE-type connection.

## DESCRIPTION OF COMPONENTS AND CHARACTERISTICS



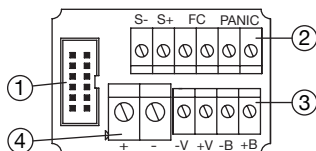
1. 7" touchscreen display
2. Webcam 2Mpx
3. Microphone
4. Backlit blue Home button
5. Speakers
6. Micro SD card
7. Switch for IPerHOME bus termination (IPERHOME TERM)




6. Micro SD card
7. Switch for IPerHOME bus termination (IPERHOME TERM)
8. 12 way connector for external connections' printed circuit
9. Secondary LAN connector for Internet IPerHOME connection (LOCAL LAN PORT)
10. IPerVoice LAN connector with POE power supply (DOORPHONE POE PORT)
11. Micro USB connector for Eeprom programming (for future developments)

 *Max video door phone is provided with an embedded device for hard of hearing.*

## DESCRIPTION OF TERMINAL PINS



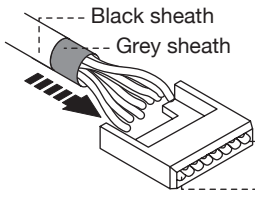
1. 12 way connector used for monitor connection to the printed circuit
2. Terminals for the connection of:
  - panic alarm (PANIC)
  - floor call (FC)
  - call repeater (S+, S-)
3. Terminals for connection to the IPerHOME system (-V, +V, -B, +B)  
 *Do not use: pre-setting for future functions.*
4. External power supply terminals (24 V $\overline{\text{---}}$ : +, -)

## WIRING INSTRUCTIONS

### RJ45 Ethernet Cable

The IPerVoice system has been designed to work with the EIA/TIA 568B standard.

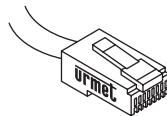
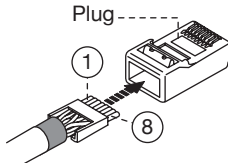
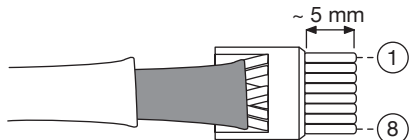
- Plug the cable into one of the RJ45 connectors with the Urmet logo.
- Insert the wire in its guide, according to the provided colour code (Standard T568B).



Wire No.	Cable colour
1	White-Orange
2	Orange
3	White-Green
4	Blue

Wire No.	Cable colour
5	White-Blue
6	Green
7	White-Brown
8	Brown

- Cut the cables so that they protrude from the guide by about 5 mm, insert the guide in its plug and crimp with the specially provided tool.



 Make sure that the grey sheath stays inside the plug.

 This type of connection will NOT guarantee double insulation.

## POWER SUPPLY

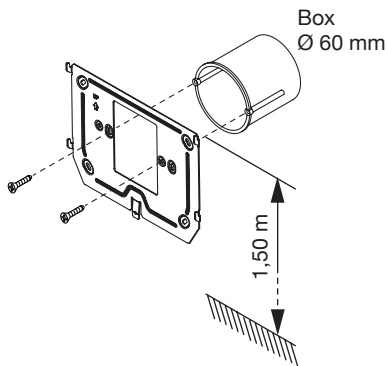
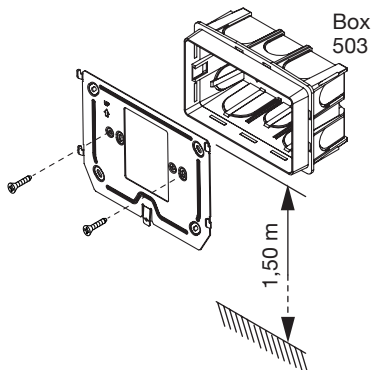
The 1717/31 or /33 monitor can be supplied power in two different ways:

- POE
- 24 V $\overline{\text{---}}$  – 18 W power supply

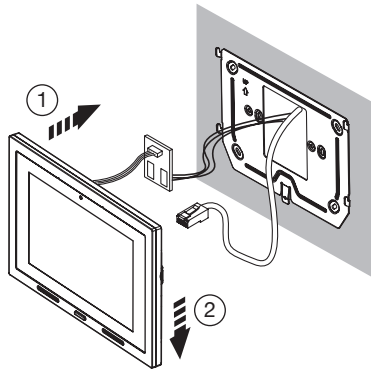
When the power supply is used, POE is not available because the monitor is powered only by the local power supply. In this case, RJ45 can be connected to the NO POE port of the switch.

## INSTALLATION

It is possible to fix the wall bracket by using a 503 box and the supplied screws, or a  $\varnothing$  60 box with suitable screws.



- Connect any panic function, extra ring tone, floor call, auxiliary power and link to IPerHOME system function wires to the terminals on the external printed circuit.
- Connect the monitor to the connector CN1 on the printed circuit board via the cable provided on the back of the monitor.
- Move the monitor close to the bracket by centring the special fixings (1) and slide it down to reach its stop (2) (see the following image).



## DISTANCES, SECTIONS, CABLES AND TECH SPECS

Type of connection	Max distance	Min - max cross section
Call to floor level	30 m	0,5 - 1 mm <sup>2</sup>
Panic Alarm	30 m	0,5 - 1 mm <sup>2</sup>
Call repeating	30 m	0,5 - 1 mm <sup>2</sup>
External 24 Vdc	25 m	0,5 - 1 mm <sup>2</sup>
LAN	100 m	CAT5e (*)

(\*) To ensure longest-range monitor operation, the cable must be a class 5e device and the twisted pairs' cross section must be AWG24.


The maximum resistance of the individual wires must not exceed 10ohm/100m.

The cable must be up to the following standards:

- EIA/TIA 568-B.2 or EIA/TIA 568-C.2
- EN50288 3-1
- IEC 61156-5

The connection between the monitor and POE switch must be ensured by a single cable without any extra patch cords.

POE входное	---
External power supply voltage:.....	<b>48-54 V.. 24 V</b> ---
Max consumption:.....	<b>12 W</b>
Display:.....	<b>7" TFT</b>
Touchscreen:.....	<b>Capacitive</b>
Resolution:.....	<b>1024 x 600 px</b>
Brightness:.....	<b>350 cd/m<sup>2</sup></b>
Viewing Angle (H/V):.....	<b>160° / 160°</b>
Operating Temperature:.....	<b>-5 to 45°C</b>
IPerHOME CU Consumption:.....	<b>0.5 CU</b>
Max number of monitors on the POE ports of switch 1039/44:.....	<b>2</b>

 **This product is intended to be powered by either any external power supply units, through the connector M1 on the board CS1717-014 (18W, 24Vdc) or PoE, through the connector CN505 whose power supply conforms to the limited power source (LPS) requirements and is protected against short circuits and power surges in accordance with the EN 60950-1:2006+A11+A1+A12+A2 requirements.**

If a local power supply is used, do not connect the LAN input to the switch POE outputs.