

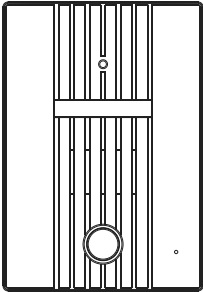
V.


| | |
|---------|-------------------|
| | 1124/2 |
| | 1/3" CCD |
| . | 1 (, F1.2) |
| | =13,5 +/- 0,5 () |
| | 4 () |
| | |
| | (Hands-Free) |
| | -30° / +70° |
| | |
| (? ?) | 90 130 31 |
| (? ?) | 76 117 30 |

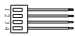
urmet


1724/2


VI.



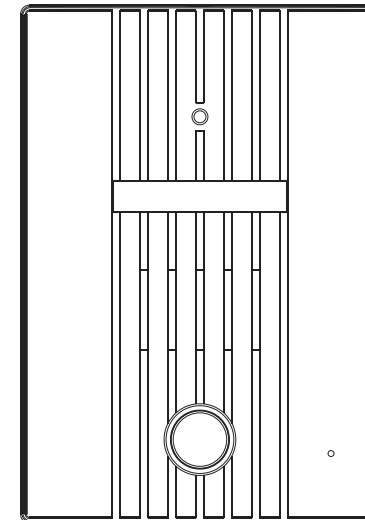
■

1

■

1

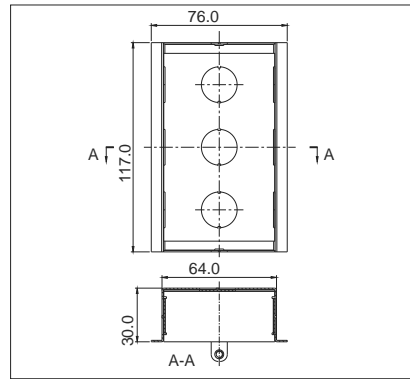
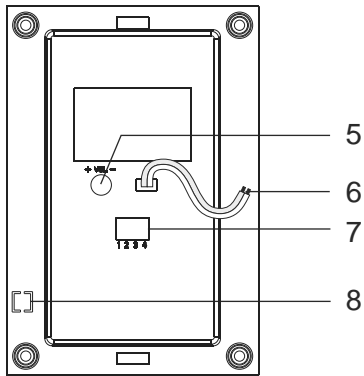
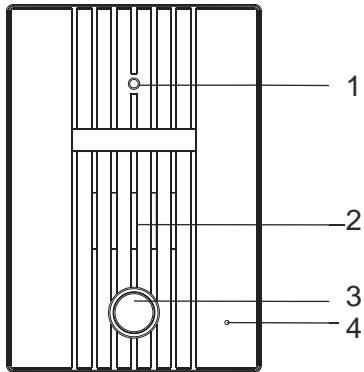
■

1

■

1

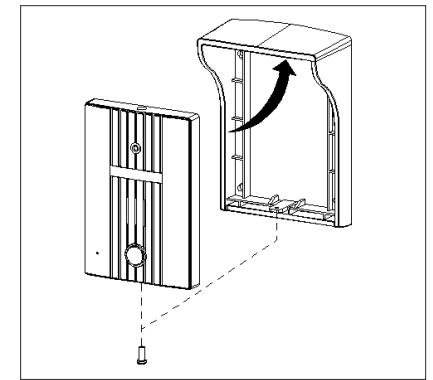
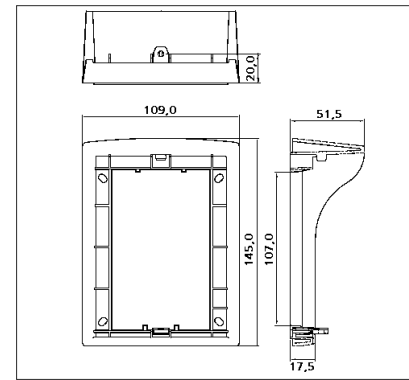
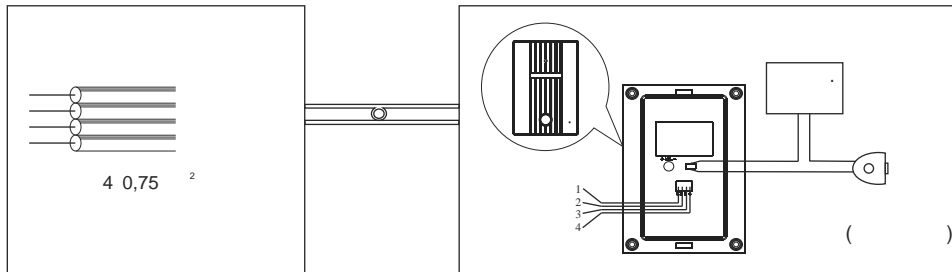
■
1724/2
1



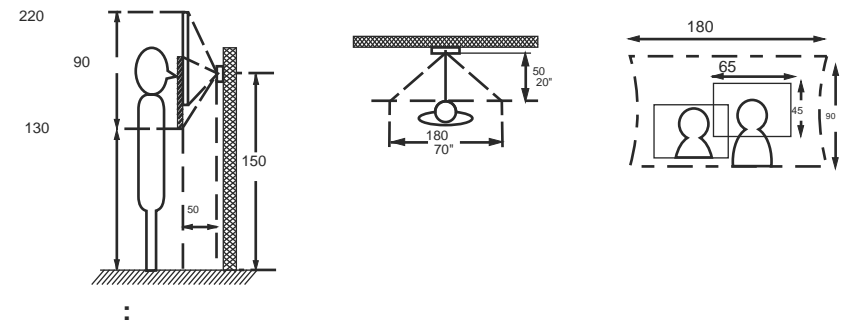
I.



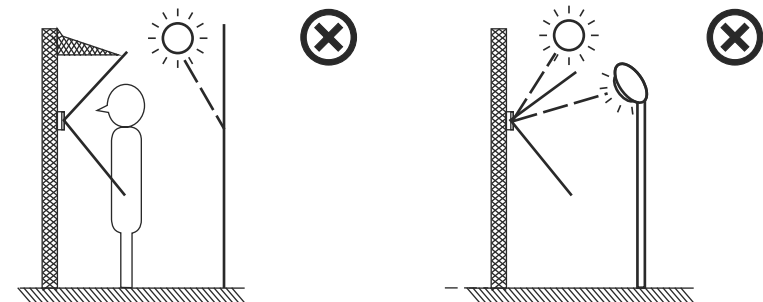
II.



III.



IV.



1.
($>70^\circ$)
- 2.
- 3.